

Industrial Electric Steam Iron

Gravity Iron

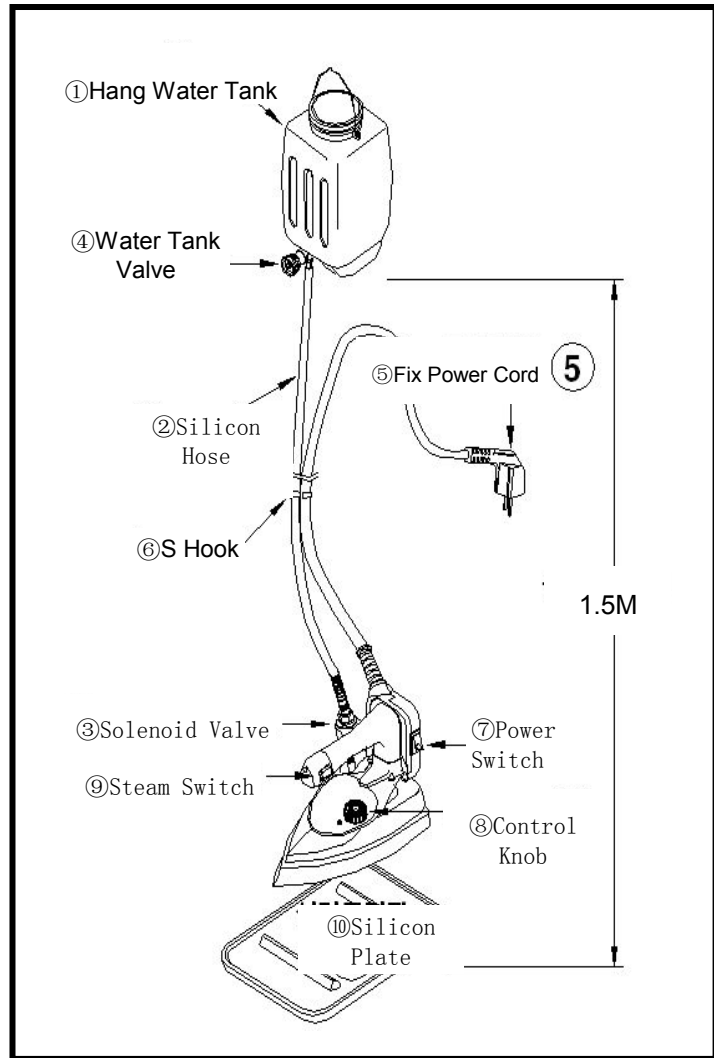
USER MANUAL

Vallabh®

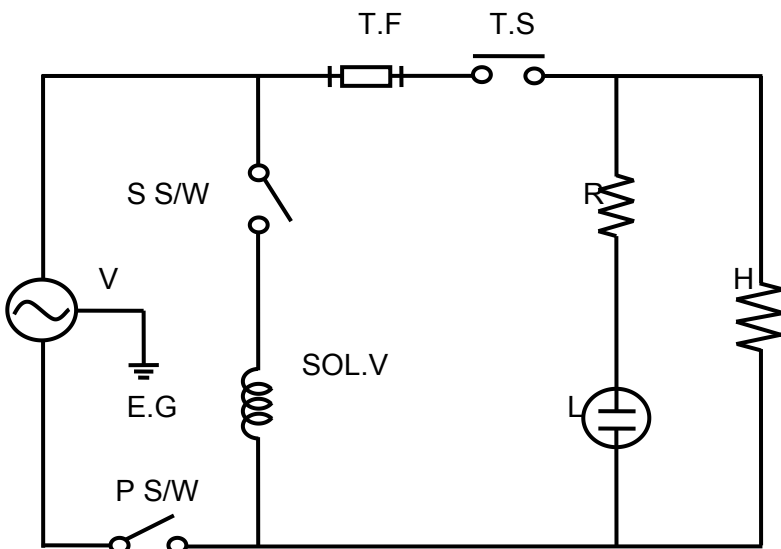


Iron Installation & Operation

1. Hang Water Tank① at more than 5ft above from the ironing surface (see figure at the right side) 🖱
2. Connect one end of Silicon Hose② to Solenoid Valve③, and the other end to Water Tank Valve④ tap (see figure at the right side) 🖱
3. Fix Power Cord⑤ and Silicon Hose② using S Hook⑥ (see figure at the right side) 🖱
4. Connect power plug to power socket, and turn on Power Switch⑦.
5. Set Temperature Control Knob⑧ to 4 and wait 5 minutes until iron is heated to the set temperature.
6. Turn Water Tank Valve④ to counter-clockwise to open and press Steam Switch⑨ to spray steam.
7. Always place the iron on the Silicon Plate⑩ when you need to leave the iron for a while during ironing. Otherwise, there is a risk of fire.
8. Be sure to turn off power when you do not use iron, and cool down the iron at least 30 minutes.



Circuit Diagrams

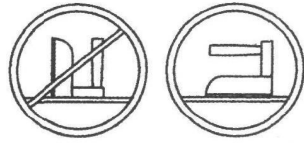


- V** : Voltage
- P S/W** : Power Switch
- S S/W** : Steam Switch
- E.G** : Earth Ground
- SOL.V** : Solenoid Valve
- T.F** : Over-Temperature Fuse
- T.S** : Temperature Setting
- R** : Resistance
- L** : Lamp
- H** : Heater



Important Notice

Do not place iron upright direction when not in use. (See following figure)



How to operate

- After iron temperature is sufficiently heated, open water tank valve, and press the steam switch. (Press for 1~2 seconds and pause for 3~4 seconds. Repeat, pressing 1~2 seconds then resting 3~4 seconds.) Press the steam switch this way when you need steam.
- Start ironing.
- Do not press steam switch continuously longer than 5~6 seconds for a proper steam function.
- Select the number of temperature control knob according to corresponding temperature/ clothes which is following:
 - # 1, 2 ----- Pre-heating
 - # 3 ----- Silk or sensitive clothes (low temperature)
 - # 4 ----- Cottons and wool (medium temperature)
 - # 5 ----- Other thick clothes (high temperature)
- Cover i°Iron Shoe± to iron to get a better ironing effect without glossy to the clothes after ironing.
- Please keep flammable materials away from the iron during ironing because temperature of iron plate is very hot (over 200°C). Also, place the iron over silicon plate when not in use.
- Always remove the power plug from socket when not in use.
 - of iron plate is very hot (over 200°C). Also, place iron over silicon plate when not in use.
- Always remove power plug from socket when iron is not in use.

Self-Check Points

Problems	Check Points	Corrective Actions
Iron does not work at all	<ul style="list-style-type: none"> ☞ Is power plug is connected to power socket? ☞ Is main switch turned on? 	<ul style="list-style-type: none"> ♣ Connect power plug ♣ Turn on main switch
Steam does not come out	<ul style="list-style-type: none"> ☞ Is there water in water tank? ☞ Is water tank valve opened? ☞ Is silicon hose twisted or clogged? 	<ul style="list-style-type: none"> ♣ Fill water to the water tank ♣ Turn water tank valve counter clockwise ♣ Release twist or remove clogged materials
Steam pressure is weak	<ul style="list-style-type: none"> ☞ Is water tank valve fully opened? ☞ Is steam hole clogged? 	<ul style="list-style-type: none"> ♣ Fully open water tank valve ♣ Unclog steam hole
Water flows out	<ul style="list-style-type: none"> ☞ Does temperature control knob indicate too low temperature? ☞ Is steam switch pressed too long (more than 10 seconds) 	<ul style="list-style-type: none"> ♣ Adjust tempera control knob to higher temperature ♣ Press steam switch only 1~2 second
Steam comes out when switch is not pressed	<ul style="list-style-type: none"> ☞ Is steam switch out of order? ☞ Is rubber packing inside solenoid valve wore out? 	<ul style="list-style-type: none"> ♣ Contact head office or A/S centers

Safety Regulations

Please observe following safety regulations to prevent any danger or accidents.

1. Be careful when connecting iron power cord, and check whether iron's indicated voltage matches with power supply socket voltage.
2. Fill water tank with clean water. Use of Silver Star's water purifier agent is recommended.
3. Be sure to disconnect the power plug from socket before filling water to water tank.
4. Be careful with steam leakage when connecting silicon hose to water tank and iron.
5. Do not connect multiple plugs to one power socket. There is risk of fire (Fire Department recommended item).
6. Do not press steam switch continuously (more than 10 seconds). It is the cause of flowing water instead of steam.
7. Do not press steam switch too hard. It causes the malfunction.
8. User shall always be near to the iron when in use. Iron's power must be turned off and its plug must be removed from socket when user needs to leave iron for a while.
9. Do not spray iron steam directly either to human body or animals. There is risk of burn injury.
10. Keep away any part of human body from iron's bottom plate while in use. There is a risk of burn injury.
11. If the temperature control does not work and keep high temperature, stop using it immediately and disconnect the plug, then contact authorized service center.
12. If water or other foreign materials entered into iron cover, turn off power by disconnecting the plug and inquire authorized service center.
13. Remove iron's power plug from socket when it's lightning or thunders.
14. Do not let children touch or operate iron.
15. Be sure to change power cable by qualified technician from manufacturer or authorized service center when it is damaged.
16. Never touch or modify inner parts of controller in the iron because they are sensitive parts. There is a risk of iron malfunction or fire if incorrectly handled.
17. Do not touch power cable or operate iron with wet hand. There is risk of electric shock.
18. To clean iron, disconnect power plug from socket and clean it after iron is cooled down.
19. Remove all steam inside iron and disconnect power plug from socket when iron is not using.
20. Hold power plug when disconnect it from socket. Do not pull out the power cable to disconnect plug. It is the cause of fire or electric shock by short circuit.
21. Stop using iron, disconnect power plug and contact authorized service center when there is any other sign or symptoms of trouble.
22. Our company does not have liability for any accident that occurred by not observing above safety regulations or any accident caused by mistakes or carelessness by user. Also, our company does not have liability for any accident during or after repair of the iron by unauthorized person or at unauthorized place.
23. Please contact our head office or authorized service center if you have any question for product description or trouble.

Always be sure to observe above safety regulations. Manufacturer does not have liability for any damages caused by not observing above safety regulation.

Accessory parts usage and instruction to use

① Steam hole pin

Usage

Steam hole at the bottom of iron may be clogged after long time use due to foreign material inside the iron. When it happens, use steam hole pin to clear the clogged hole.

Instruction

It is able to solve the clogged steam problem by clearing the clogged steam hole using steam hole pin as shown in the figure at the right side.

Caution

Iron's bottom may be very hot. Be careful not to touch iron's bottom while cleaning.

② Steam switching rubber

③ Valve spring

Usage

Steam may continuously come out from steam hole at the iron bottom when the iron has been in use for long time. This can be caused by hardened or aged steam switching rubber in the solenoid valve set, or due to corrosion or malfunction of valve spring. Please replace the part with attached spare part when it happens.

Usage

As shown in the figure at the right side, open the solenoid valve in 1 or valve spring, and reassemble it to solve this problem.

Caution

Be sure to assemble according to the sequence in the figure after replacing steam switching rubber or valve spring. It may not work properly if the assemble sequence is not followed.

